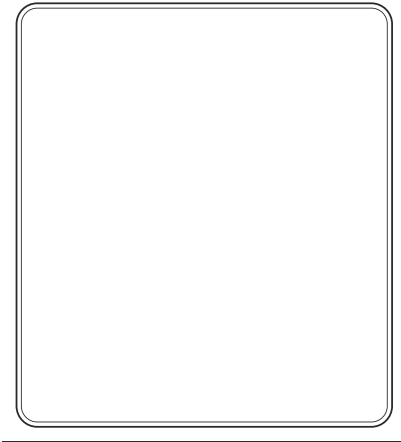
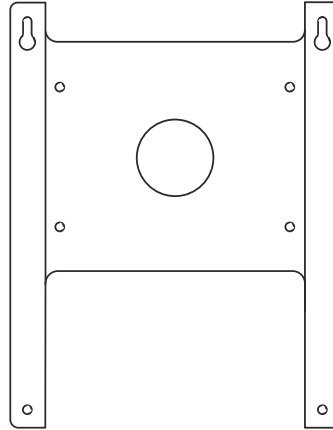


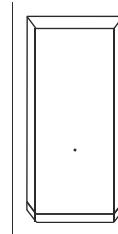
## What's In The Box



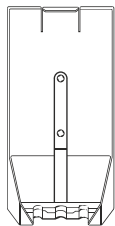
Dish



Wedge Mount



Power Supply



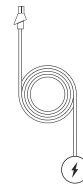
Power Supply  
Mount



Starlink Cable  
25 m  
(82 ft)



Ethernet Cable  
5 m  
(16.5 ft)

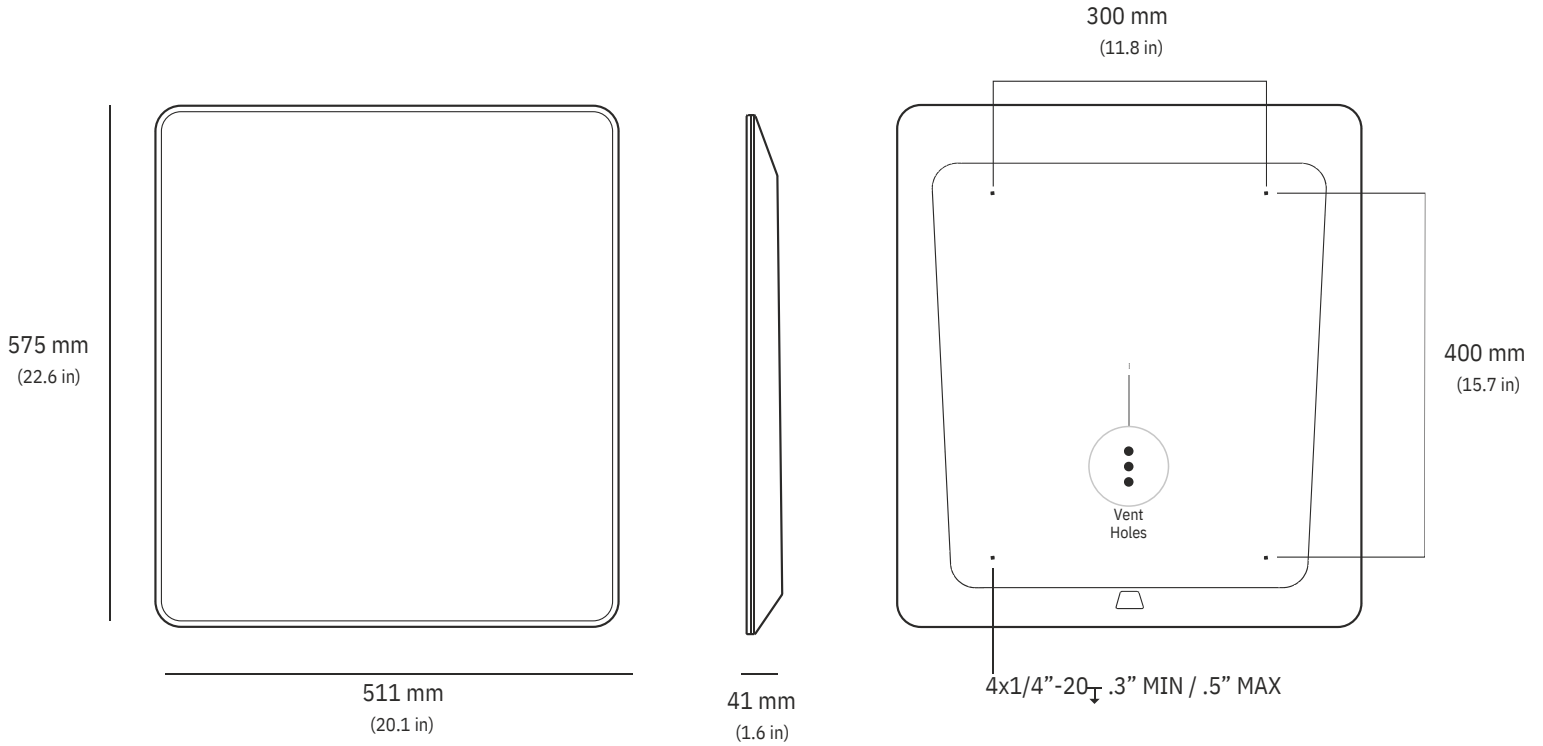


AC Cable (Power Supply)  
1.8 m  
(6 ft)

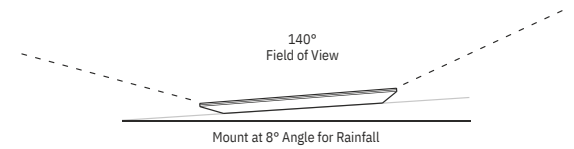
**Package Weight:** 16.25 kg (35.8 lbs)

**Package Dimensions:** 679 x 613 x 191 mm (26.7 x 24.1 x 7.5 in)

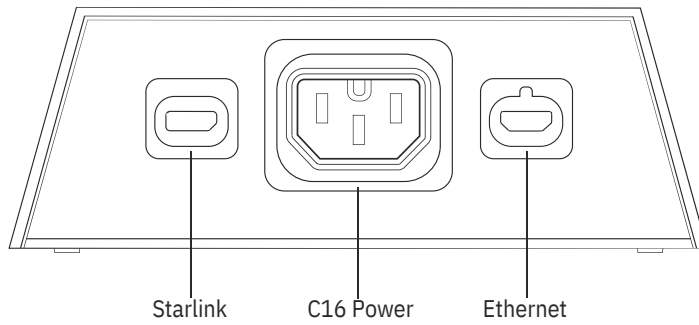
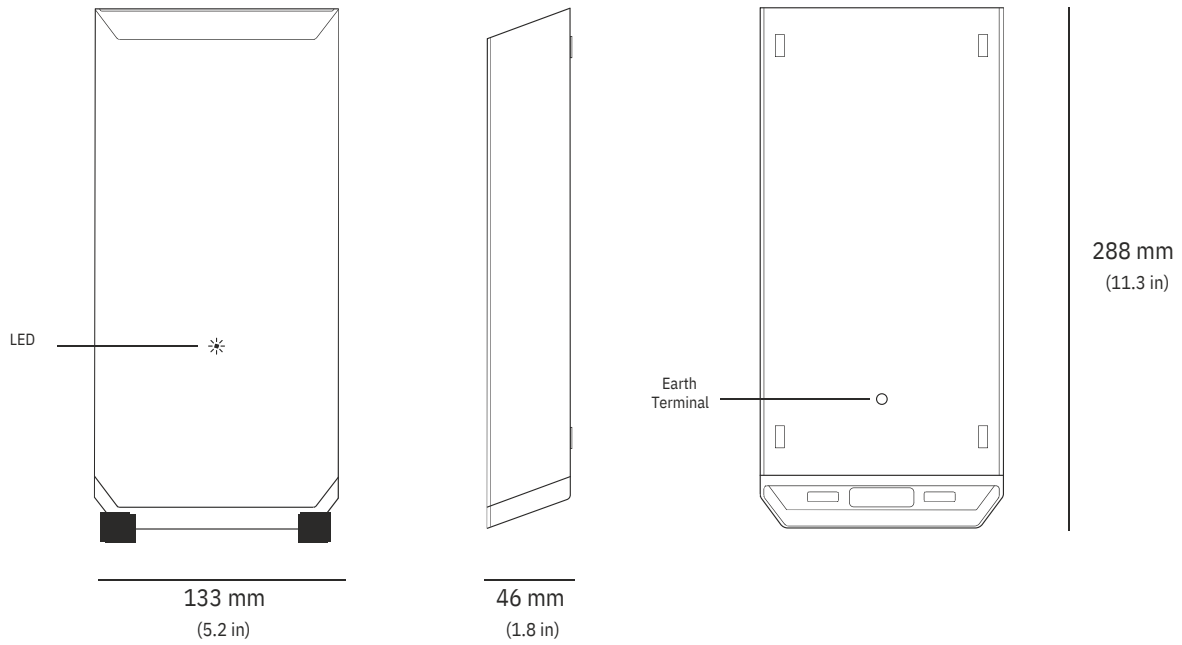
# FLAT HIGH PERFORMANCE DISH



<b>Antenna</b>	Electronic Phased Array
<b>Field of View</b>	140°
<b>Orientation</b>	Fixed
<b>Dish Weight</b>	5.9 kg / 13 lbs without Cable 8.1 kg / 17.9 lbs with 25 m / 82 ft Cable
<b>Environmental Rating</b>	IP56
<b>Operating Temperature</b>	-30°C to 50°C (-22°F to 122°F)
<b>Wind Speed</b>	Survivable: 280 kph+ (174 mph+)
<b>Snow Melt Capability</b>	Up to 75 mm / hour (3 in / hour)
<b>Power Consumption</b>	Average: 110-150 W
<b>User LAN</b>	RJ45 Cable

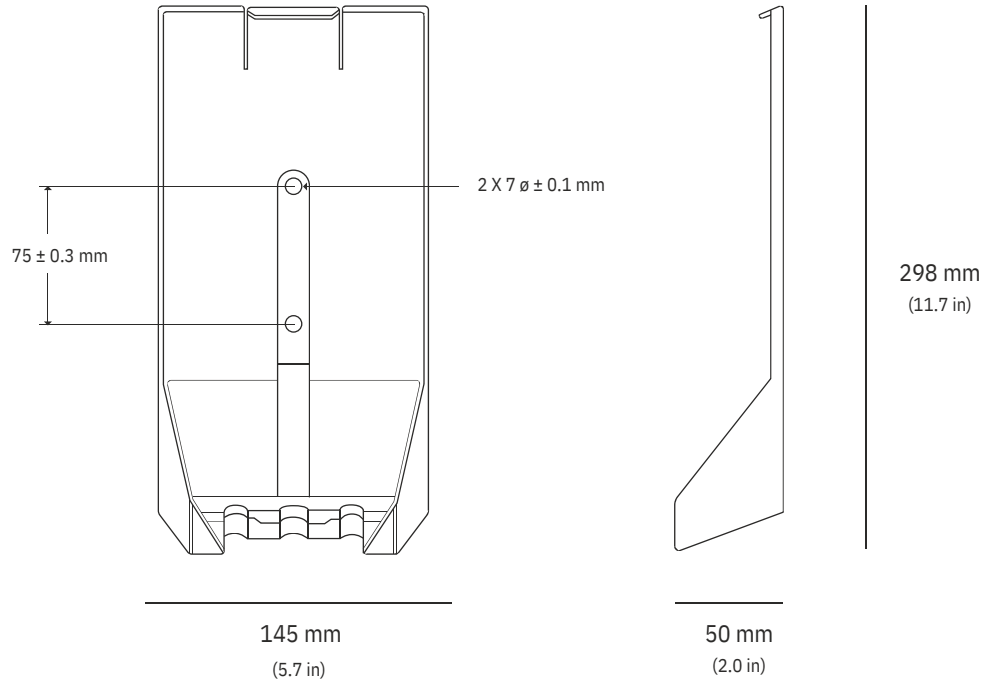


# POWER SUPPLY

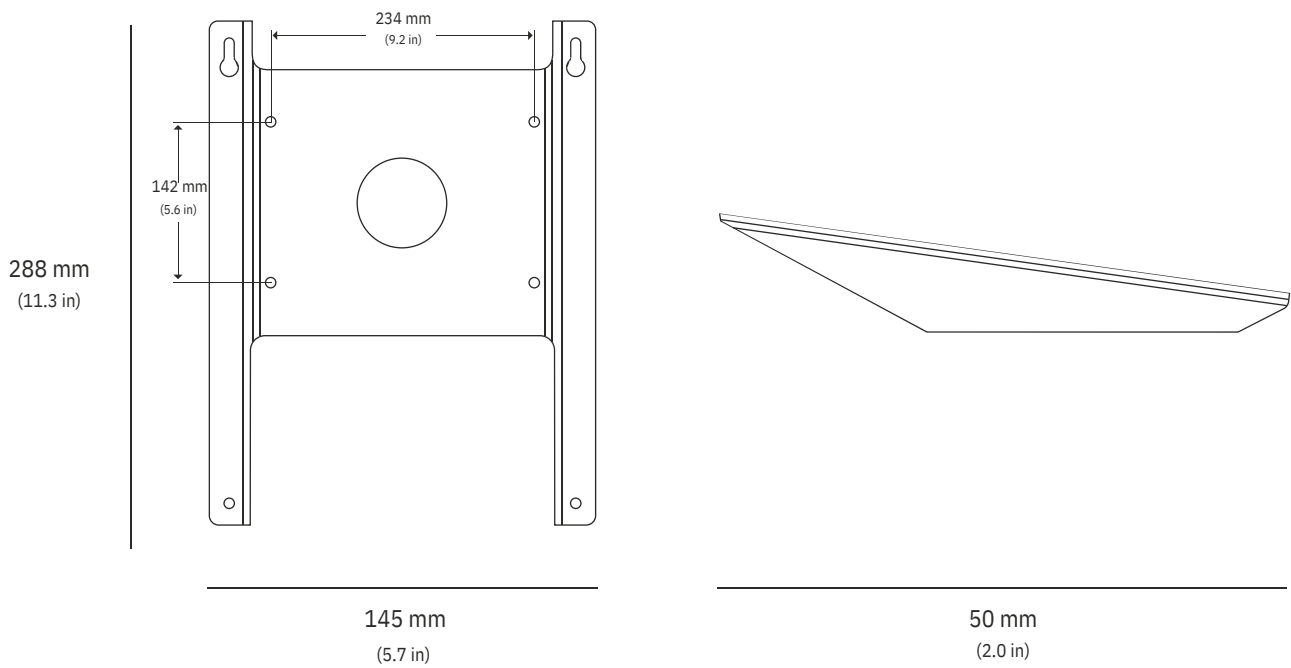


<b>Environmental Rating</b>	IP56
<b>Operating Temperature</b>	-30°C to 50°C (-22 to 122°F)
<b>Weight</b>	1.5kg (3lbs)
<b>Grounding</b>	Dedicated Earth Terminal
<b>Power Specifications</b>	100-240V - 6.3A 50 - 60 Hz
<b>Mounting</b>	Included Mount

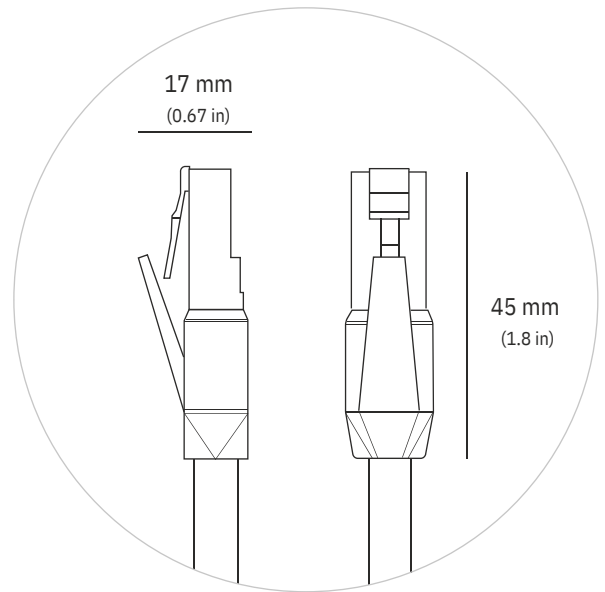
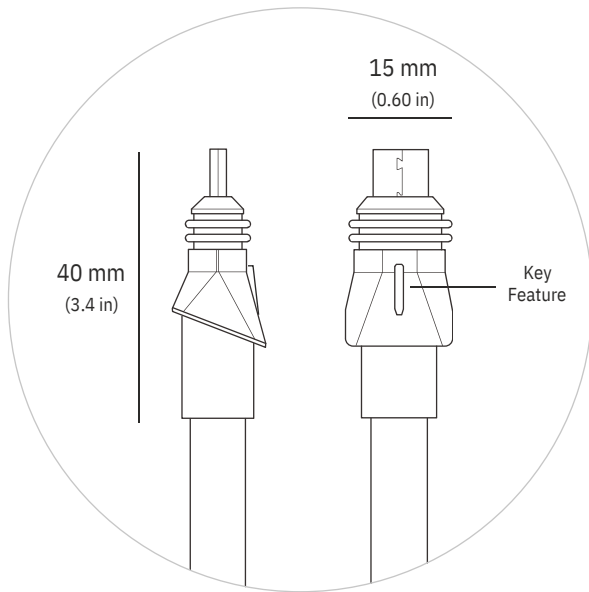
# POWER SUPPLY MOUNT



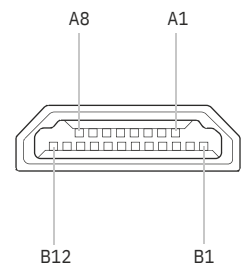
# WEDGE MOUNT



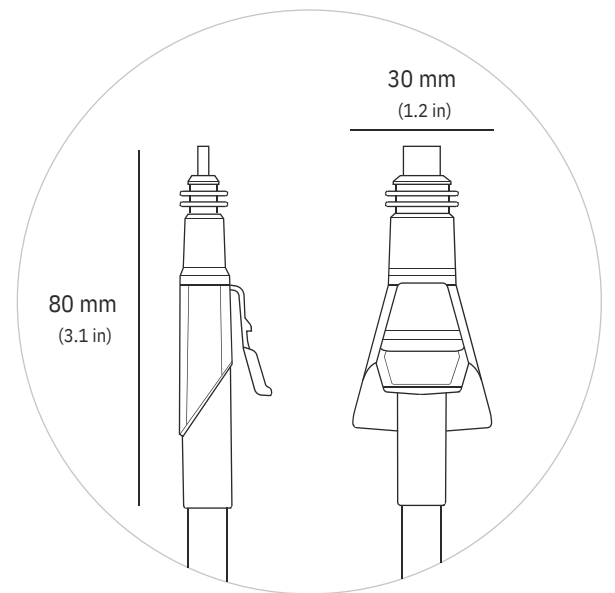
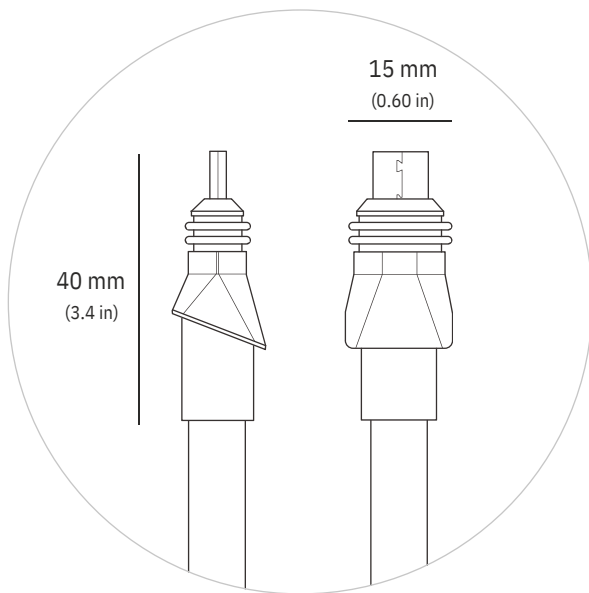
# FLAT HIGH PERFORMANCE ETHERNET CABLE



End	Pin	Ethernet Pin	Wire Color	Pin	End
RJ45	A1, A2	B+	Orange White	A1, A2	Power Supply
	A3, A4	B-	Orange	A3, A4	
	A5, A6	A+	Green White	A5, A6	
	A7, A8	A-	Green	A7, A8	
	B1, B2	--	N / C	B1, B2	
	B3, B4	--	N / C	B3, B4	
	B5	D+	Brown White	B5	
	B6	D-	Brown	B6	
	B7	C-	Blue White	B7	
	B8	C+	Blue	B8	
	B9, B10	--	N / C	B9, B10	
	B11, B12	--	N / C	B11, B12	
	Shield Can		Drain Wire	Shell	



# FLAT HIGH PERFORMANCE STARLINK CABLE



End	Pin	Wire Color	Pin	End
Dish	A1	Green	A1	Power Supply
	A2	Yellow	A2	
	A3	Blue	A3	
	A4	White	A4	
	B1	Orange	B1	
	B2	Purple	B2	
	B3	Brown	B3	
	B4	Gray	B4	
	B5	Shield / Shell	B5	

