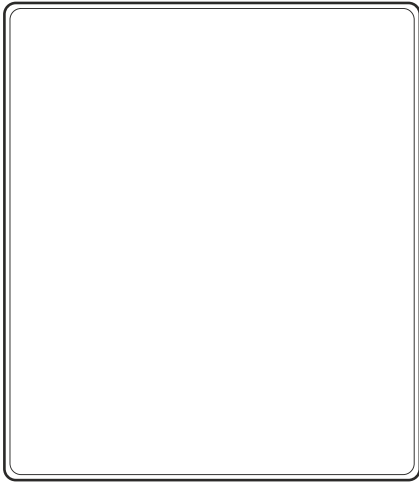
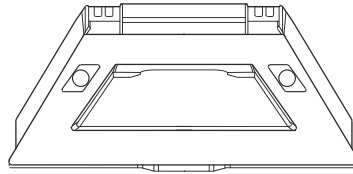


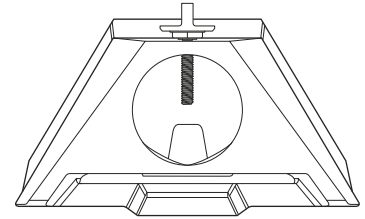
What's In The Box



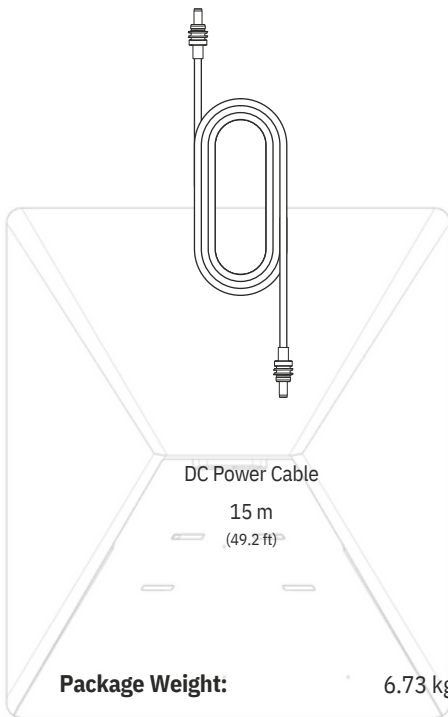
Starlink with Integrated WiFi



Kickstand



Pipe Adapter



DC Power Cable

15 m

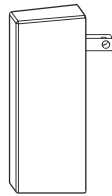
(49.2 ft)

**Package Weight:**

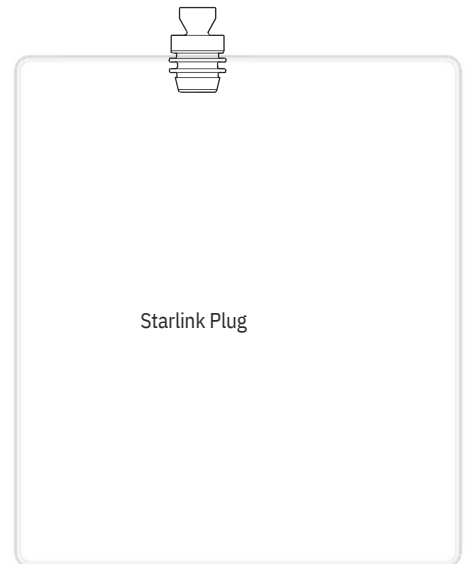
6.73 kg (14.83 lbs)

**Package Dimensions:**

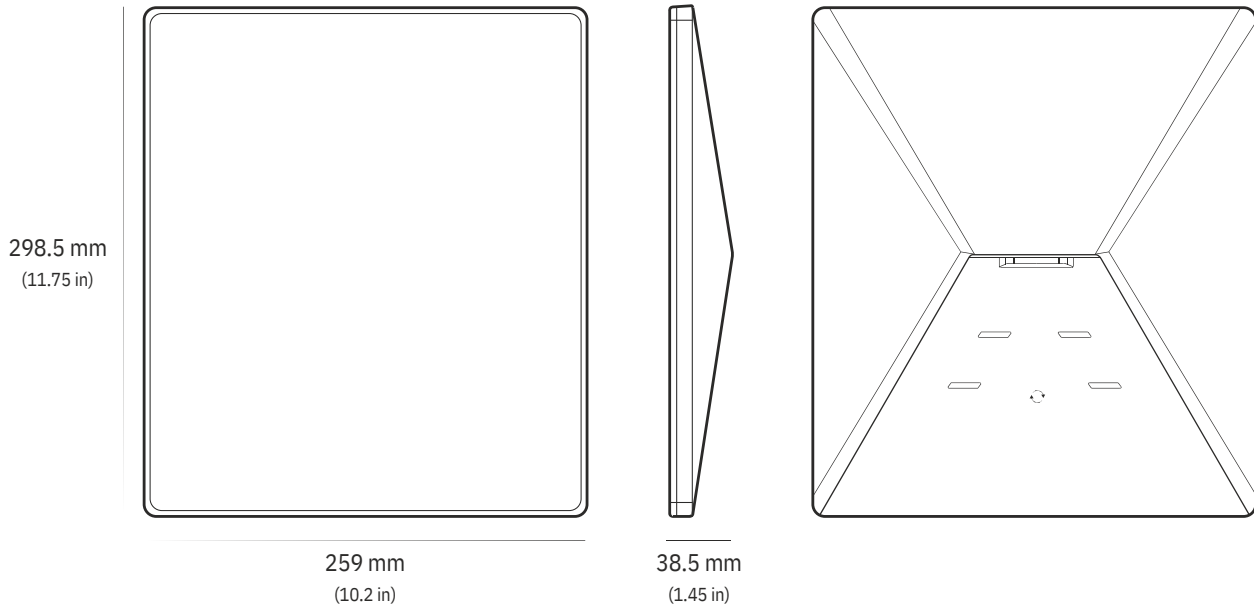
430 x 334 x 79 mm (16.92 x 13.14 x 3.11 in)



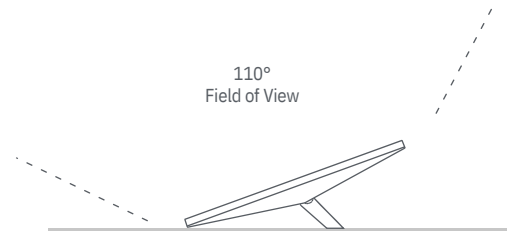
Power Supply



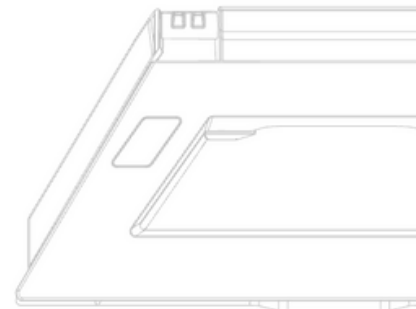
Starlink Plug

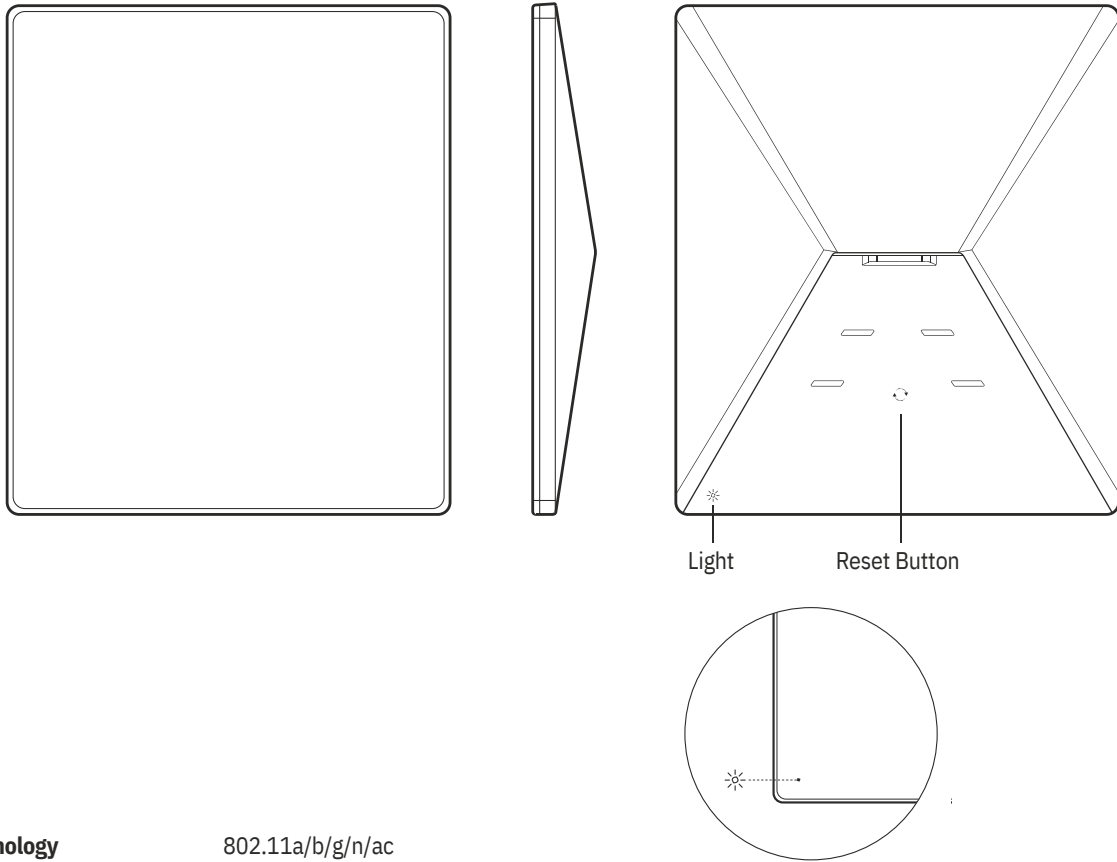


<b>Antenna</b>	Electronic Phased Array
<b>Field of View</b>	110°
<b>Orientation</b>	Software Assisted Manual Orienting
<b>Weight</b>	1.10 kg (2.43 lb) 1.16 kg (2.56 lb) with Kickstand 1.53 kg (3.37 lb) with Kickstand & 15 m Cable

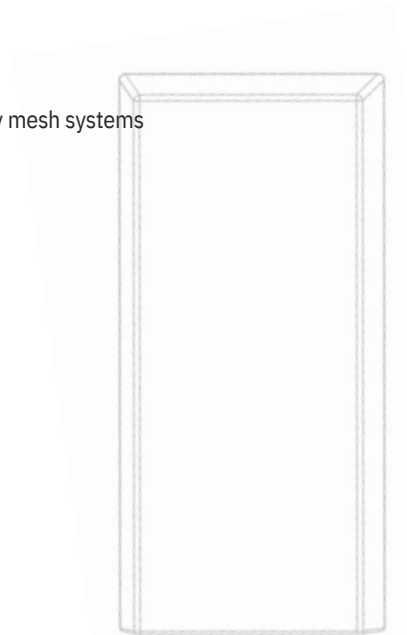


<b>Environmental Rating</b>	IP67 Type 4 with DC Power Cable and Starlink Plug/Cable installed
<b>Operating Temperature</b>	-30°C to 50°C (-22°F to 122°F)
<b>Wind Speed</b>	Operational: 96 kph+ (60 mph+)
<b>Snow Melt Capability</b>	Up to 25mm / hour (1 in / hour)
<b>Power Consumption</b>	Average: 25-40W
<b>Input Rating</b>	12-48V 60W
<b>USB PD Requirement</b>	100W, 20V/5A Minimum (with Starlink USB-C to Barrel Jack Cable Accessory)





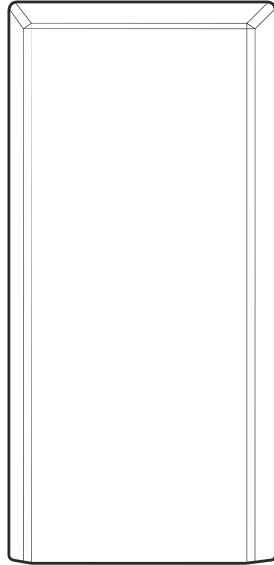
<b>Wi-Fi Technology</b>	802.11a/b/g/n/ac
<b>Generation</b>	WiFi 5
<b>Radio</b>	Dual Band 3 x 3 MU-MIMO
<b>Ethernet Ports</b>	One (1) Latching Ethernet LAN port with Starlink Plug
<b>Coverage</b>	Up to 112 m <sup>2</sup> (1,200 ft <sup>2</sup> )
<b>Security</b>	WPA2
<b>Power Indicator</b>	LED   rear face plate, lower left corner
<b>Mesh Compatibility</b>	Compatible with all Starlink mesh systems *Not compatible with 3rd party mesh systems
<b>Devices</b>	Connect up to 128 devices



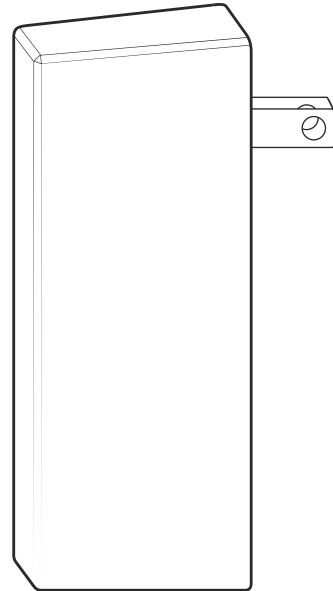
## POWER SUPPLY



91 mm  
(3.6 in)



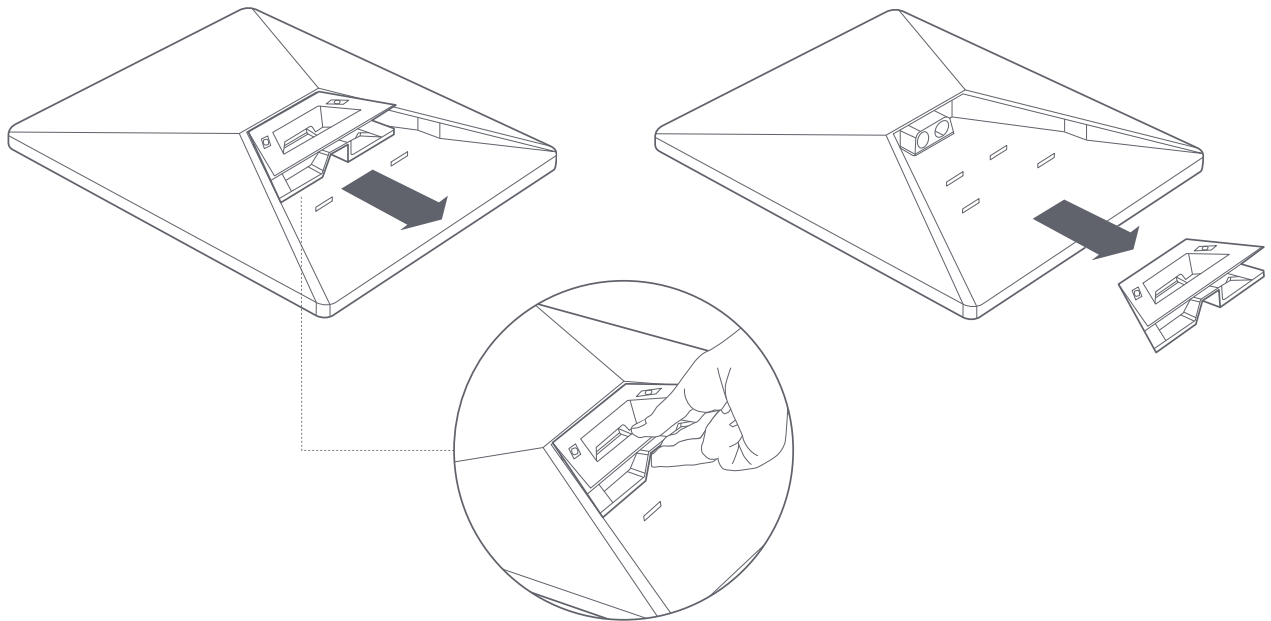
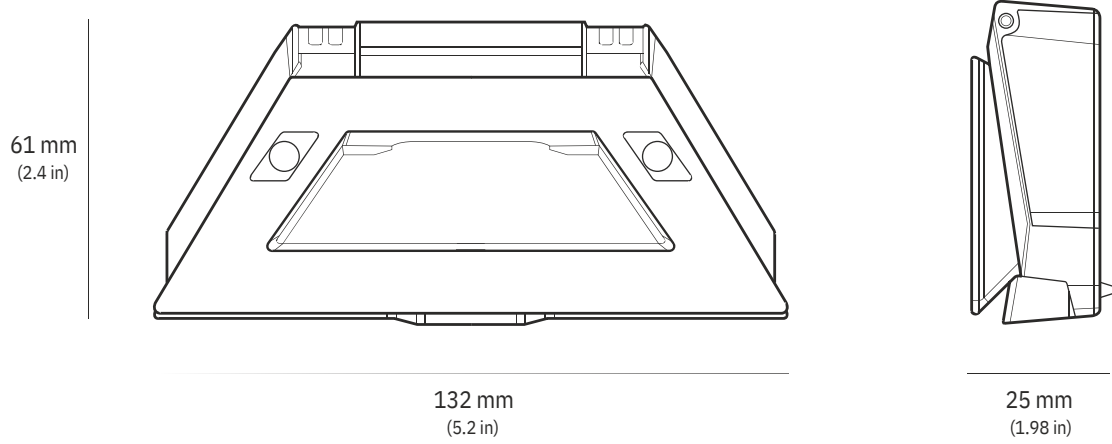
44 mm  
(1.7 in)

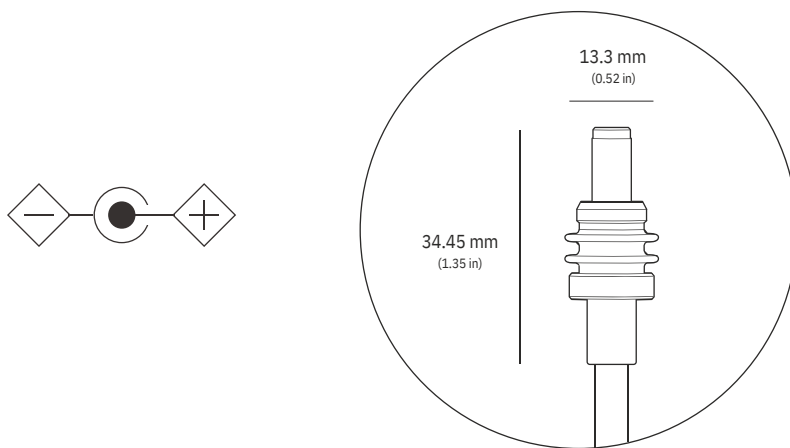
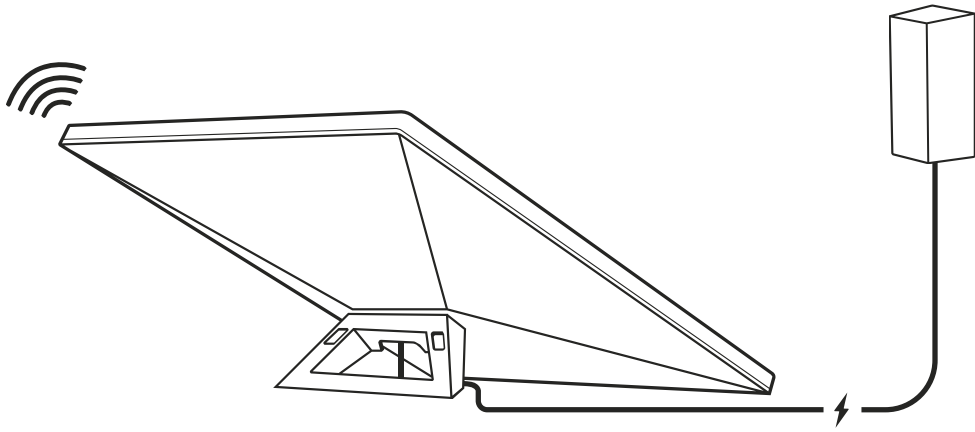


51 mm  
(2.0 in)

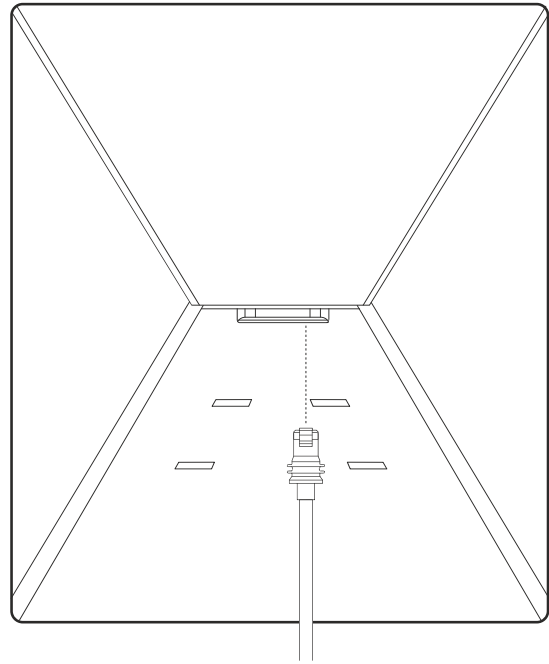
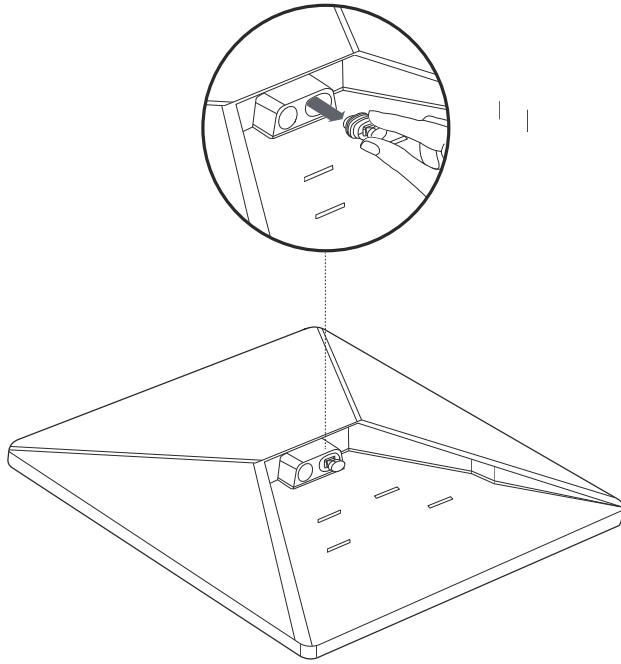
<b>Product Dimensions</b>	91 x 44 x 51 mm (3.6 in x 1.7 in x 2.0 in)
<b>Weight</b>	0.2 kg (0.44 lbs)
<b>Environmental Rating</b>	IP66 Type 4
<b>Operating Temperature</b>	-30°C to 50°C (-22 to 122°F)
<b>Power Specifications</b>	100-240V ~ 1.6A 50 - 60 Hz

# KICKSTAND





# ETHERNET PORT



\*Mini Starlink Cable not included. Available on [shop.starlink.com](http://shop.starlink.com).  
This product is no longer rated IP67 with a standard RJ45 cable.

# PIPE ADAPTER

